

# TECNA®



**CAPACITY 0,2 ÷ 180 kg**

TECNA		CE
GRUP. TECNA OHTAL. S.P.A. - BELGIUM - ITALY		
ART.	3411	ITEM
ANNO W.D. SERIE	12/10/19	YEAR SERIAL NO.
CORSA	2500 mm	STROKE
PESCIANTE	2500 kg	NET WEIGHT
PORTATA	Kg	CAPACITY
70		70



## GENERAL CATALOGUE

### Balancers

# BALANCERS

## Index

Introduction .....	p. 2
9300-9303   9311-9313 .....	p. 3
9300NY-9303NY   9311NY-9313NY .....	p. 4
9320-9323   Opz. 37827 .....	p. 5
9336-9340   9346-9350 .....	p. 6
9336NY-9340NY   9346NY-9350NY .....	p. 7
9354-9359   9354G-9359G .....	p. 8
9361-9369   9370-9371 .....	p. 9
9361G-9369G   9370G-9371G .....	p. 10
9401-9405   9431-9433 .....	p. 11
9401G-9405G   9431G-9433G .....	p. 12
9411-9414   9434-9444 .....	p. 13
9411G-9414G   9434G-9444G .....	p. 14
9422-9426   9451-9456 .....	p. 15
9422G-9426G   9451G-9456G .....	p. 16
9502-9509   9520-9525 .....	p. 17
9200-9203 .....	p. 18
Balancers technical features .....	p. 19
Packaging features .....	p. 20
9354AX-9359AX .....	p. 21
9502AX-9509AX   9520AX-9525AX .....	p. 22
ATEX Balancers technical features .....	p. 23
ATEX Packaging features .....	p. 23

**TECNA S.p.A.** produces and distributes a complete range of **BALANCERS** having a capacity **from 0,2 up to 180 kg** and an available wire stroke up to 3 meters. The **TECNA BALANCER** is an essential device to eliminate the operator's labour, to increase productivity by cutting down idle times and to improve the work quality. Furthermore, the use of the **TECNA BALANCER** reduces hoses and cables wear and avoid eventual damages to both people and tools.

The application of the **TECNA BALANCER** is absolutely versatile: it may be used for bench or assembly line works and it may be suitably applied to small tools, industrial suspended welders and multiple screw drivers.

The **TECNA** balancers are produced in conformity with the DIN 15112 Directive. Thanks to their high structural technology and their compliance with the laws in force, they are BG certified by the relevant German Institute for their safe use in the working environment.

**TECNA** produces a new range of **BALANCERS**, **ATEX certified**, suitable to be installed in potentially explosive areas composed by flammable gases or combustible dusts.

The ergonomic structure of the **TECNA BALANCERS** has been designed for facilitating each use operation, ranging from movement easiness to body robustness, from simple use to lifting power.

**TECNA**, as producer, provides special and customised versions on demand.

Example of BG certificate released to the TECNA S.p.A. balancers

Bescheinigung  
Nr. **MHHW**  
vom

Deutsche Gesetzliche  
Unfallversicherung


Fachausschuss Maschinenbau, Hebezeuge, Hütten-  
und Walzwerksanlagen  
Prüf- und Zertifizierungsstelle im BG-PRÜFZERT

### BG-Prüfbescheinigung

Name und Anschrift des Bescheinigungsinhabers: (Auftraggeber)	<b>TECNA S.p.A.</b> Via Grieco 25/27, I-40024 Castel San Pietro Terme Italy
Name und Anschrift des Herstellers:	dito.
Produktbezeichnung:	<b>Federzug</b>
Typ:	9401 - 9405, 9411 - 9414, 9422 - 9426, 9431 - 9436, 9441 - 9444, 9451 - 9456
Bestimmungsgemäße Verwendung:	Gewichtsausgleichende Aufhängung von handgeführten Werkzeugen und Geräten
Prüfgrundlage:	Grundsätze für die Prüfung und Zertifizierung von "Winden, Hub- und Zuggeräten und ihren Bauteilen" (GS - MHHW - 10) (08.2007) DIN 15112 Federzüge (05.1979)
Zugehöriger Prüfbericht:	016.10 - 14 / 2007 vom 05.06.2008
Bemerkungen:	Das geprüfte Baumuster entspricht den in § 4 Absatz 1 des Geräte- und Produktsicherheitsgesetzes genannten Anforderungen. Das geprüfte Baumuster entspricht den einschlägigen Bestimmungen der <b>EG-Maschinenrichtlinie</b> 98/37/EG (gültig bis 28.12.2009) und 2006/42/EG (gültig ab 29.12.2009). Der Bescheinigungsinhaber ist berechtigt, das unseitig abgebildete BG-Zeichen an den mit dem geprüften Baumuster übereinstimmenden Produkten anzubringen, gegebenenfalls mit dem unter 'Bemerkungen' genannten Zusatz. Diese Bescheinigung wird spätestens ungültig am: <b>30.06.2013</b> Weiteres über die Gültigkeit, eine Gültigkeitsverlängerung und andere Bedingungen regelt die Prüf- und Zertifizierungsordnung vom September 2008.

Postadresse: Postfach 10 10 15 • 40001 Düsseldorf • Hausadresse: Graf-Recke-Str. 69 • 40239 Düsseldorf  
 Telefon 0211 8224 - 0 • Telefax 0211 8224 - 866 • E-Mail [fpuz@mmbg.de](mailto:fpuz@mmbg.de) • [www.mmbg.de](http://www.mmbg.de)  
 Zeichen der Prüf- und Zertifizierungsstelle

(Dipl.-Ing. Koop)

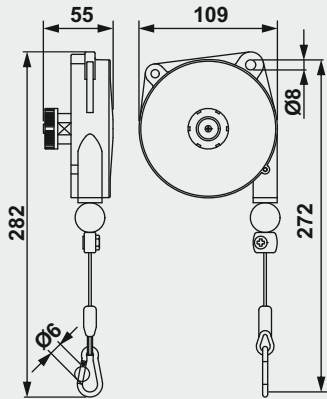




# 9300 ÷ 9303

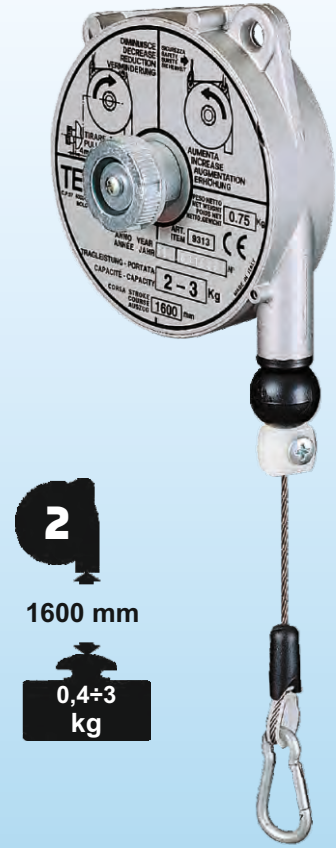


**1**  
1600 mm  
0,2÷3 kg

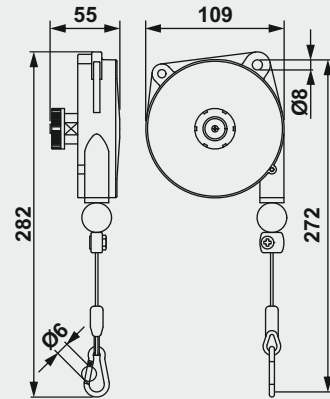


Item	9300	9301	9302	9303
Capacity	0,2÷0,5	0,4÷1	1÷2	2÷3
Weight	0,43	0,46	0,49	0,64
Stroke	1600 mm			
Cable	Inox			
Body	Nylon			

# 9311 ÷ 9313



**2**  
1600 mm  
0,4÷3 kg

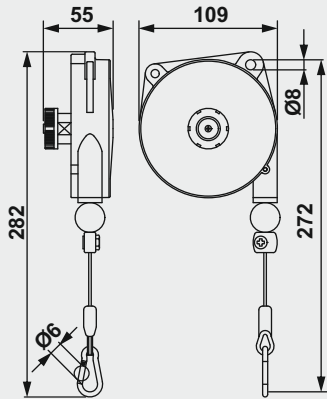


Item	9311	9312	9313
Capacity	0,4÷1	1÷2	2÷3
Weight	0,57	0,60	0,74
Stroke	1600 mm		
Cable	Inox		
Body	Aluminium		

# 9300NY ÷ 9303NY



**3**  
1600 mm  
**0,2÷3**  
kg

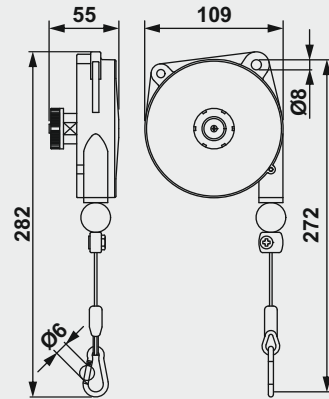


Item	9300NY	9301NY	9302NY	9303NY
Capacity	0,2÷0,5	0,4÷1	1÷2	2÷3
Weight	0,40	0,50	0,60	0,70
Stroke	1600 mm			
Cable	Polypropilene			
Body	Nylon			

# 9311NY ÷ 9313NY



**4**  
1600 mm  
**0,4÷3**  
kg



Item	9311NY	9312NY	9313NY
Capacity	0,4÷1	1÷2	2÷3
Weight	0,55	0,60	0,75
Stroke	1600 mm		
Cable	Polypropilene		
Body	Aluminium		



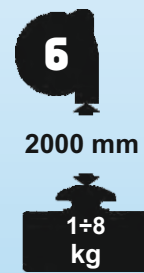
# 9320 ÷ 9323



2000 mm

1÷8 kg

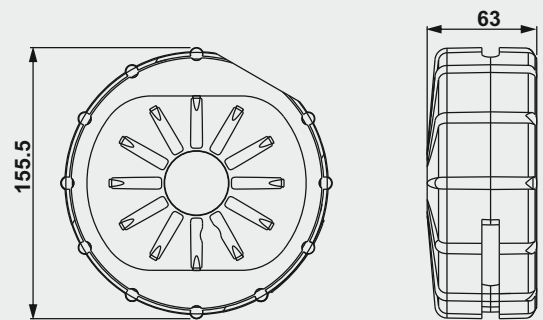
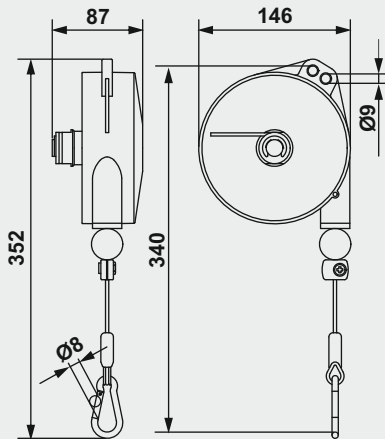
# Opz. 37827



2000 mm

1÷8 kg

**Opt. 37827**  
Rubbered protection for range of balancers  
Item 9320, 9321, 9322, 9323.



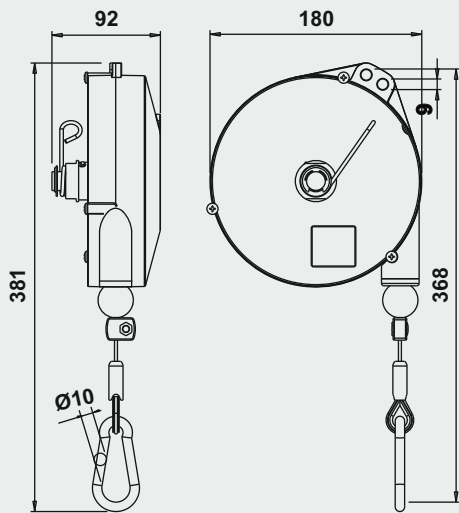
Item	9320	9321	9322	9323
Capacity	1÷2,5	2÷4	4÷6	6÷8
Weight	1,67	1,90	1,98	2,28
Stroke	2000 mm			
Cable	Inox			
Body	Aluminium			

Opt.	37827			
Item	9320	9321	9322	9323
Capacity	1÷2,5	2÷4	4÷6	6÷8

# 9336 ÷ 9340



**7**  
2500 mm  
2÷14 kg

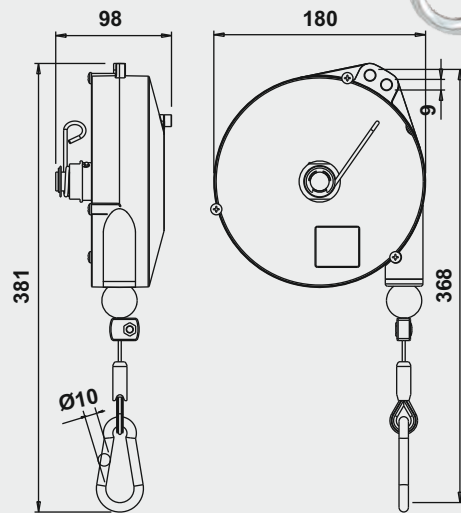


Item	9336	9337	9338	9339	9340
Capacity	2÷4	4÷6	6÷8	8÷10	10÷14
Weight	3,14	3,30	3,36	3,43	3,58
Stroke	2500 mm				
Cable	Inox				
Body	Aluminium				

# 9346 ÷ 9350



**8**  
2500 mm  
2÷14 kg



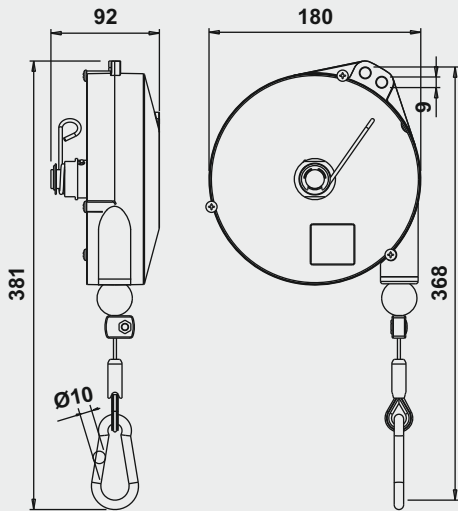
In addition to the features of the former range, the new balancers are equipped with a new device enabling to stop the stroke by carrying out a simple operation on the load.

Item	9346	9347	9348	9349	9350
Capacity	2÷4	4÷6	6÷8	8÷10	10÷14
Weight	3,14	3,32	3,38	3,48	3,62
Stroke	2500 mm				
Cable	Inox				
Body	Aluminium				

# 9336NY ÷ 9340NY



**9**  
2500 mm  
**2÷14**  
kg



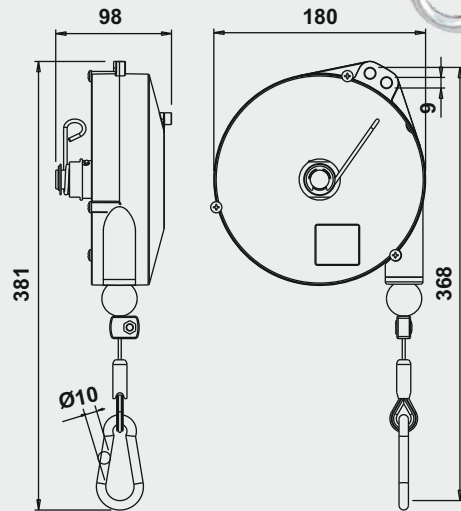
Item	9336NY	9337NY	9338NY	9339NY	9340NY
Capacity	2÷4	4÷6	6÷8	8÷10	10÷14
Weight	3,14	3,30	3,36	3,43	3,58
Stroke	2500 mm				
Cable	Dyneema®				
Body	Aluminium				

# 9346NY ÷ 9350NY



**10**  
2500 mm  
**2÷14**  
kg

In addition to the features of the former range, the new balancers are equipped with a new device enabling to stop the stroke by carrying out a simple operation on the load.



Item	9346NY	9347NY	9348NY	9349NY	9350NY
Capacity	2÷4	4÷6	6÷8	8÷10	10÷14
Weight	3,14	3,32	3,38	3,48	3,62
Stroke	2500 mm				
Cable	Dyneema®				
Body	Aluminium				



# 9354 ÷ 9359

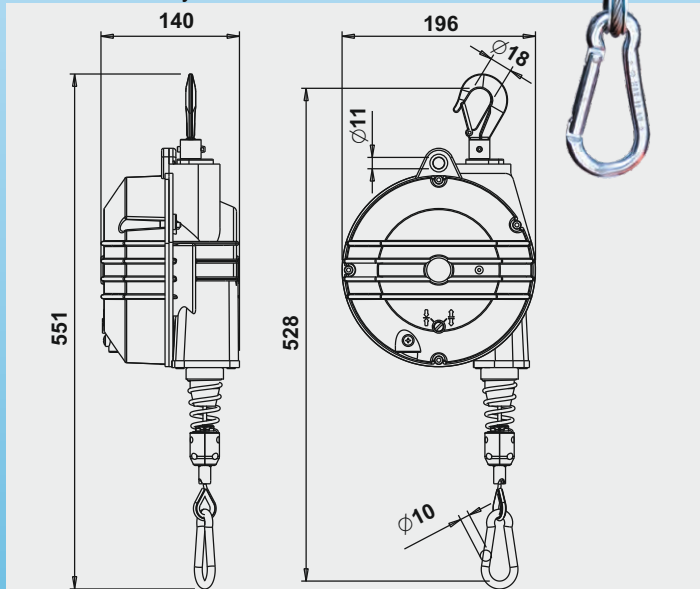


OPTION F



### Option F Brake device

The balancer is equipped with a friction/brake which controls the rotation speed of the drum. This option is feasible when placing a new order while it is not possible to assemble this device on balancers already installed.



Item	9354	9355	9356	9357	9358	9359
Capacit	4÷7	7÷10	10÷14	14÷18	18÷22	22÷25
Weight	4,94	5,30	5,67	6,26	5,89	6,53
Stroke	2000 mm					
Cable	Inox					
Body	Aluminium					

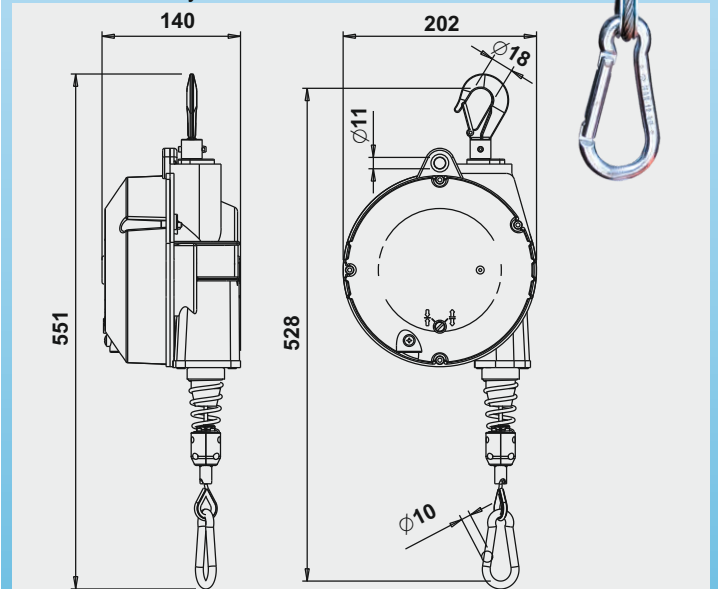
# 9354G ÷ 9359G

OPTION F



### Option F Brake device

The balancer is equipped with a friction/brake which controls the rotation speed of the drum. This option is feasible when placing a new order while it is not possible to assemble this device on balancers already installed.



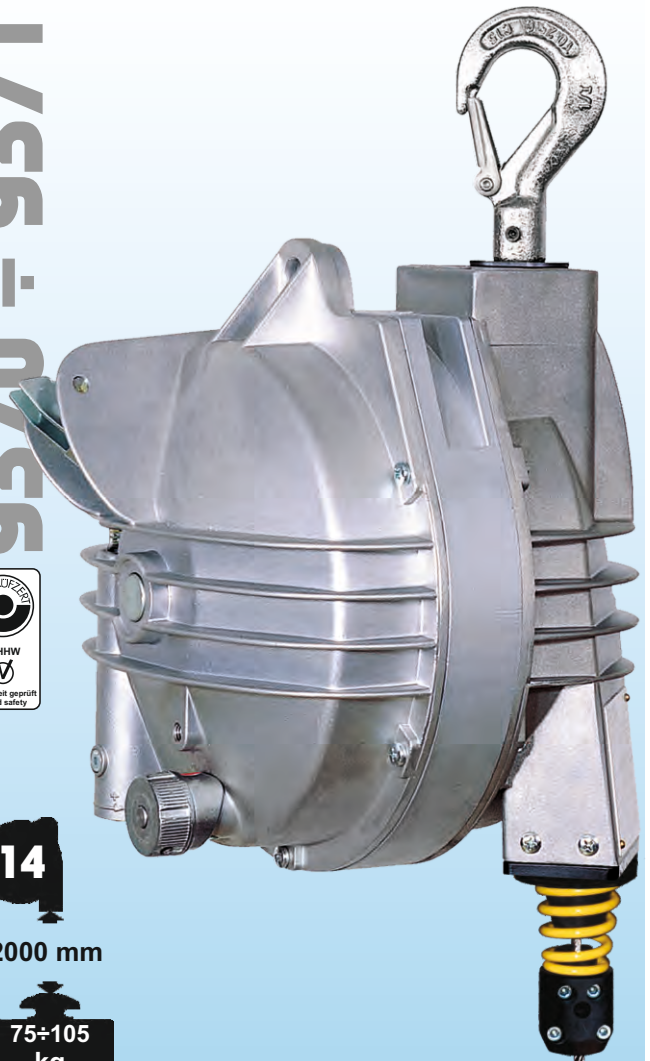
Item	9354G	9355G	9356G	9357G	9358G	9359G
Capacit	4÷7	7÷10	10÷14	14÷18	18÷22	22÷25
Weight	5,58	5,93	6,31	6,90	6,53	7,17
Stroke	2000 mm					
Cable	Inox					
Body	Aluminium+Rubber					

# 9361 ÷ 9369

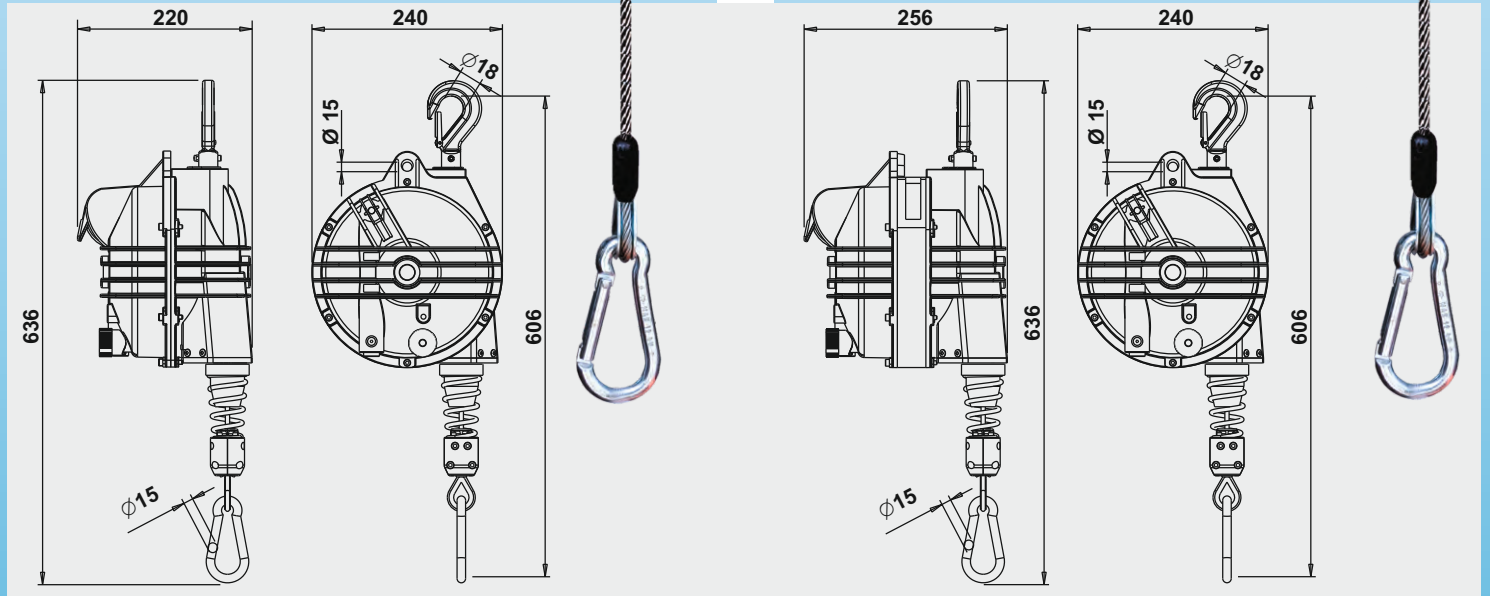


**13**  
2000 mm  
10÷75 kg

# 9370 ÷ 9371



**14**  
2000 mm  
75÷105 kg



Item	9361	9362	9363	9364	9365	9366	9367	9368	9369	9370	9371
Capacity	10÷15	15÷20	20÷25	25÷30	30÷35	35÷45	45÷55	55÷65	65÷75	75÷90	90÷105
Weight	8,73	9,01	9,29	10,14	10,14	11,03	11,03	11,87	12,67	15,65	16,58
Stroke	2000 mm										
Cable	Inox										
Body	Aluminium										

# 9361G ÷ 9369G



15

2000 mm

10÷75 kg

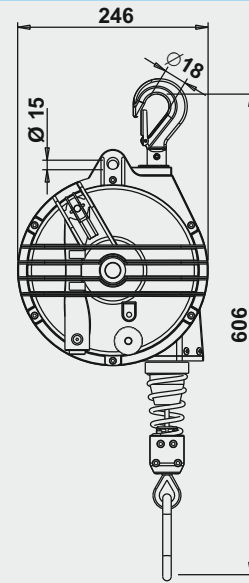
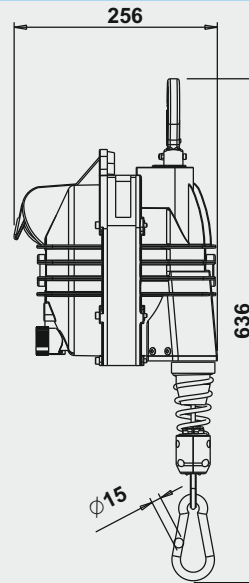
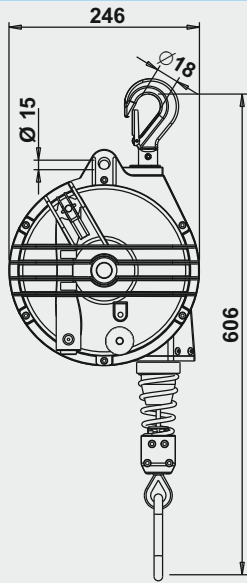
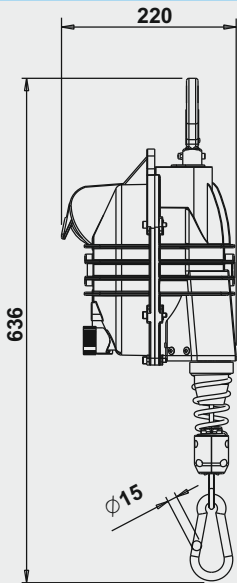
# 9370G ÷ 9371G



16

2000 mm

75÷105 kg



Item	9361G	9362G	9363G	9364G	9365G	9366G	9367G	9368G	9369G	9370G	9371G
Capacity	10÷15	15÷20	20÷25	25÷30	30÷35	35÷45	45÷55	55÷65	65÷75	75÷90	90÷105
Weight	9,88	10,17	10,45	11,29	11,29	12,18	12,18	13,02	13,82	16,80	17,74
Stroke	2000 mm										
Cable	Inox										
Body	Aluminium+Rubber										



# 9401 ÷ 9405

# 9431 ÷ 9433

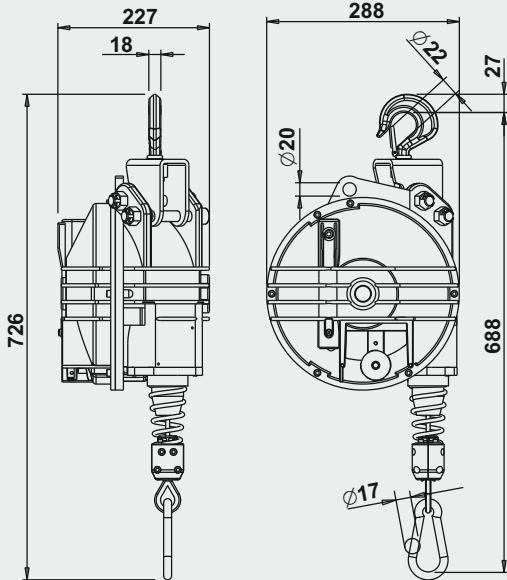


**17**  
 2500 mm  
 3000 mm  
 15÷60  
 kg



**OPTION B**  
 Locking-unlocking device  
 with control from the floor.

**OPTION RI**  
 Rotary and insulating device.



OPTION B



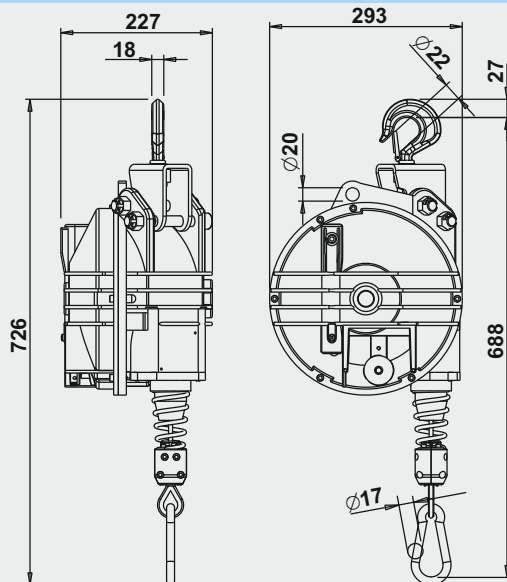
OPTION RI



Item	9401	9402	9403	9404	9405	9431	9432	9433
Capacity	15÷20	20÷30	30÷40	40÷50	50÷60	15÷20	20÷25	25÷35
Weight	19,67	21,11	21,11	22,03	23,07	19,67	19,67	21,11
Stroke	2500 mm					3000 mm		
Cable	Inox							
Body	Aluminium							

# 9401G ÷ 9405G 9431G ÷ 9433G

**18**  
2500 mm  
3000 mm  
15÷60  
kg

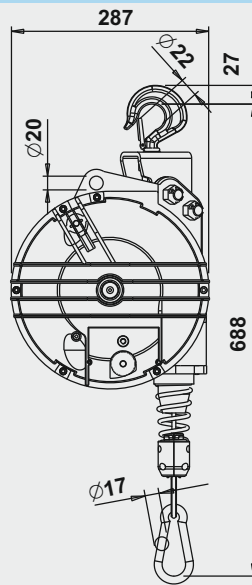
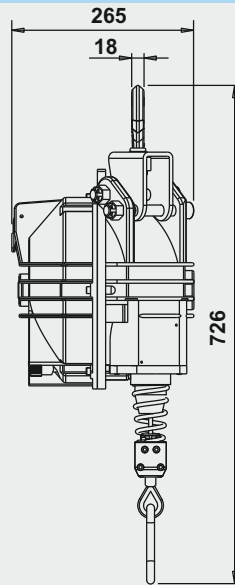


Item	9401G	9402G	9403G	9404G	9405G	9431G	9432G	9433G
Capacity	15÷20	20÷30	30÷40	40÷50	50÷60	15÷20	20÷25	25÷35
Weight	20,75	22,19	22,19	23,12	24,15	20,75	20,75	22,19
Stroke	2500 mm					3000 mm		
Cable	Inox							
Body	Aluminium+Rubber							

# 9411 ÷ 9414 9434 ÷ 9444



**19**  
2500 mm  
3000 mm  
60÷100  
kg



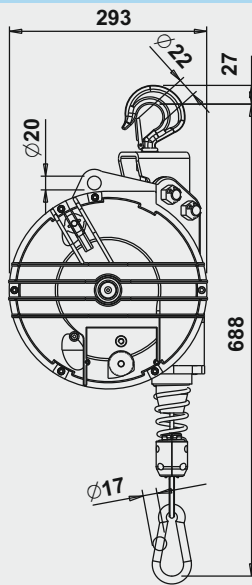
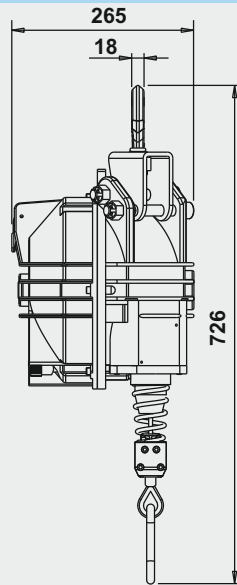
Item	9411	9412	9413	9414	9434	9435	9436	9441	9442	9443	9444	
Capacity	60÷70	70÷80	80÷90	90÷100	35÷45	40÷50	50÷60	60÷70	70÷80	80÷90	80÷100	
Weight	25,56	26,75	27,90	28,46	24,46	23,65	24,69	25,56	26,75	27,90	28,46	
Stroke	2500 mm				3000 mm							
Cable	Inox											
Body	Aluminium											



# 9411G ÷ 9414G

# 9434G ÷ 9444G

**20**  
 2500 mm  
 3000 mm  
 60÷100  
 kg



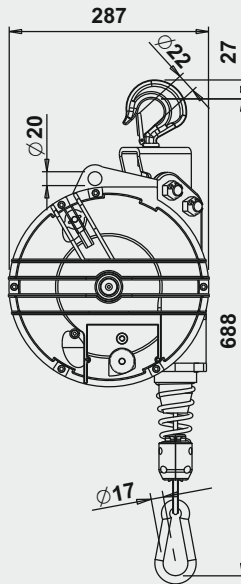
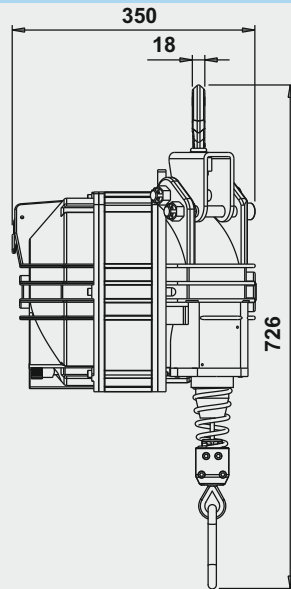
Item	9411G	9412G	9413G	9414G	9434G	9435G	9436G	9441G	9442G	9443G	9444G	
Capacity	60÷70	70÷80	80÷90	90÷100	35÷45	40÷50	50÷60	60÷70	70÷80	80÷90	80÷100	
Weight	26,79	27,98	29,13	29,69	25,69	24,88	25,91	26,79	27,98	29,13	29,69	
Stroke	2500 mm				3000 mm							
Cable	Inox											
Body	Aluminium+Rubber											

# 9422 ÷ 9426

# 9451 ÷ 9456



**21**  
 2500 mm  
 3000 mm  
 100÷180  
 kg

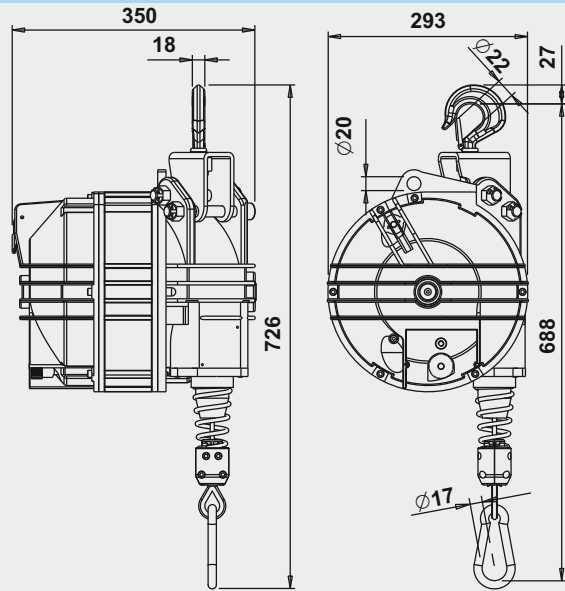


Item	9422	9423	9424	9425	9426	9451	9452	9453	9454	9455	9456
Capacity	100÷120	120÷140	130÷150	140÷160	160÷180	100÷115	115÷130	130÷140	140÷150	150÷160	160÷180
Weight	36,61	38,51	38,83	40,90	43,20	36,61	36,77	38,51	38,83	40,90	43,20
Stroke	2500 mm					3000 mm					
Cable	Inox										
Body	Aluminium										

# 9422G ÷ 9426G

# 9451G ÷ 9456G

**22**  
 2500 mm  
 3000 mm  
 100÷180  
 kg



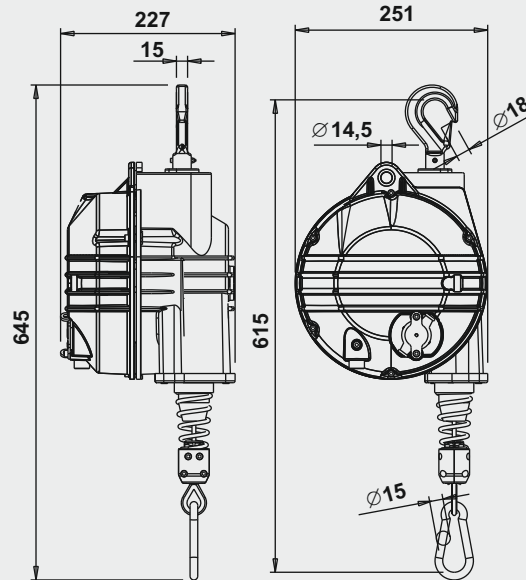
Item	9422G	9423G	9424G	9425G	9426G	9451G	9452G	9453G	9454G	9455G	9456G
Capacity	100÷120	120÷140	130÷150	140÷160	160÷180	100÷115	115÷130	130÷140	140÷150	150÷160	160÷180
Weight	37,83	39,74	40,06	42,13	44,43	37,83	37,99	39,74	40,06	42,13	44,43
Stroke	2500 mm					3000 mm					
Cable	Inox										
Body	Aluminium+Rubber										



# 9502÷9509 9520÷9525



**23**  
2100 mm  
2700 mm  
**20÷100**  
**kg**



Item	9502	9503	9504	9505	9506	9507	9508	9509	9520	9521	9522	9523	9524	9525
Capacity	20÷30	30÷40	40÷50	50÷60	60÷70	70÷80	80÷90	90÷100	12÷20	20÷30	30÷40	40÷50	50÷60	60÷70
Weight	12,60	15,20	15,50	16,70	15,50	17,70	16,20	16,80	12,80	12,60	15,80	15,40	16,60	15,70
Stroke	2100 mm								2700 mm					
Cable	Inox													
Body	Aluminium													

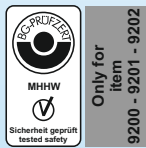
# 9200 ÷ 9203

## BALANCERS FOR PNEUMATICS

Used for arranging ergonomic work stations.  
Applications: Screw drivers - Drills - Shearing machines - Tools for electronics - Air guns.

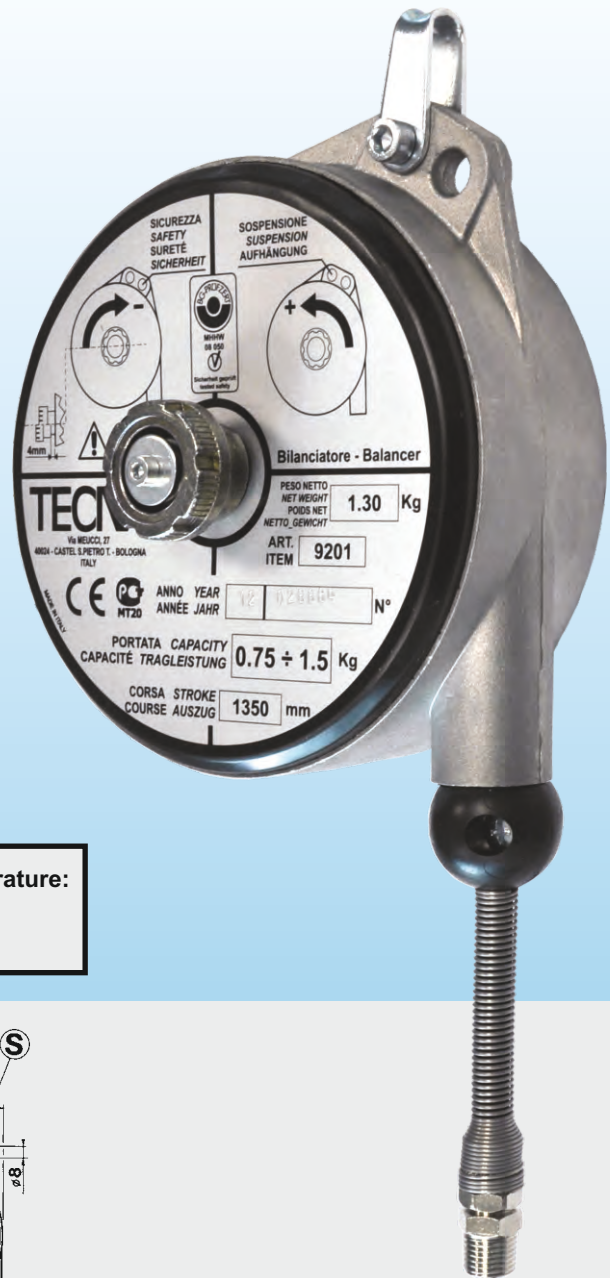
### ADVANTAGES

- Maximum ease of use.
- Minimum overall dimensions as the tool is supported by the hose.
- Polyurethane hose.
- Rugged construction, cast aluminium body.
- Adjustable capacity.
- Springs properly sized to ensure long life and smooth running.
- Adjustable stroke limiting device.
- Auxiliary safety suspension.



Only for  
item  
9200 - 9201 - 9202  
9200 - 9201 - 9202

**24**  
900 mm  
1350 mm  
**0,4÷5**  
kg

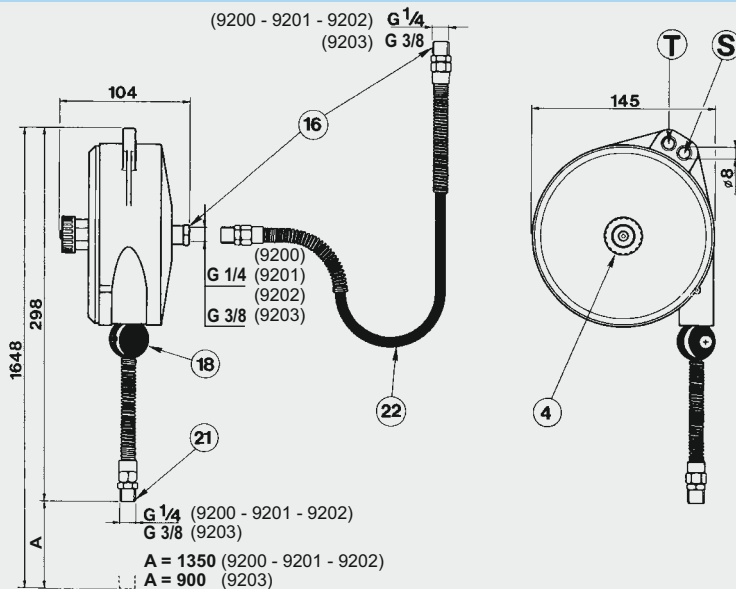


Max operating pressure:

**8 bar**

Max operating temperature:


**50°**



- T - Suspension.
- S - Safety.
- 4 - Capacity adjustment.
- 16- Air input 1/4 gas.
- 18- Stroke limiting clamp.
- 21- Air output 1/4 gas.
- 22- Flexible supply hose.

Item	9200	9201	9202	9203
Capacity	0,4÷0,8	0,75÷1,5	1,2÷2,5	3÷5
Weight	1,35	1,35	1,35	1,35
Stroke	1350 mm			900 mm
Hose	Polyurethane			
Body	Aluminium			

# BALANCERS TECHNICAL FEATURES

	3 1	4 2	5	9 7	10 8	12 11	14 16 13 15	19 22 18 21 17 20	19 22 18 21 17 20	23	23	
kg	0,2÷3	0,4÷3	1÷8	2÷14	2÷10	4÷25	10÷105	15÷180	15÷180	20÷100	20÷100	Capacity
mm	1600	1600	2000	2500	2500	2000	2000	2500	3000	2100	2700	Stroke
	●											Rugged construction, Nylon body
		●	●	●	●							Rugged construction, cast aluminium body
							●	●	●	●	●	Ribbed and sealed construction in aluminium alloy
	●	●		●	●							Polypropylene / Dyneema rope
	●	●	●	●	●	●	●	●	●	●	●	Stainless steel rope
	●	●	●	●	●							Adjustable capacity
							●	●	●	●	●	Adjustable capacity by means of a worm screw
	●	●	●	●	●	●	●	●	●	●	●	Safety suspension
			●	●	●	●	●	●	●	●	●	Safety device against load dropping due to the spring breakage (capacity >3kg)
							●	●	●			Centrifugal safety device
							●	●	●	●	●	Upper rotary suspension with safety hook
							●	●	●	●	●	Locking device to block the load at any height
	●	●	●	●	●	●	●	●	●	●	●	Adjustable stroke limiting device
							●	●	●	●	●	Taper drum rotating on ball bearings
	●	●	●	●	●	●	●	●	●	●	●	Cable guide in antifriction material
							●	●	●	●	●	Rotary upper hook with ball bearing
								●	●			Lining up upper hook
								●	●			Visible cable for inspection
	●	●	●	●	●	●	●	●	●	●	●	Inert spring drum assembly
	●	●	●	●	●		●					Polyamides thimble

## ON REQUEST OPTIONS B-RI-F

							●	●	●	●	●	B: Locking-unlocking device with control from the floor
							●	●	●	●	●	RI: Rotary insulated hook
						●						F: Brake device

# PACKAGING FEATURES

	<b>9300</b> <b>9300NY</b>	<b>9301</b> <b>9301NY</b>	<b>9302</b> <b>9302NY</b>	<b>9303</b> <b>9303NY</b>	<b>9311</b> <b>9311NY</b>	<b>9312</b> <b>9312NY</b>	<b>9313</b> <b>9313NY</b>	<b>9320</b>	<b>9321</b>	<b>9322</b>	<b>9323</b>
kg	0,50	0,60	0,60	0,70	0,70	0,70	0,80	1,80	2,1	2,1	2,5
mm	160x120x60	160x120x60	160x120x60	160x120x60	160x120x60	160x120x60	160x120x60	200x155x90	200x155x90	200x155x90	200x155x90
●	1/3	1/3	1/3	1/3	2/4	2/4	2/4	5	5	5	5
	<b>9336</b> <b>9336NY</b>	<b>9337</b> <b>9337NY</b>	<b>9338</b> <b>9338NY</b>	<b>9339</b> <b>9339NY</b>	<b>9340</b> <b>9340NY</b>	<b>9346</b> <b>9346NY</b>	<b>9347</b> <b>9347NY</b>	<b>9348</b> <b>9348NY</b>	<b>9349</b> <b>9349NY</b>	<b>9350</b> <b>9350NY</b>	<b>9354</b> <b>9354G</b>
kg	3,40	3,60	3,70	3,70	3,80	3,40	3,60	3,70	3,80	3,90	6,00
mm	260x205x95	260x205x95	260x205x95	260x205x95	260x205x95	260x205x95	260x205x95	260x205x95	260x205x95	260x205x95	465x225x185
●	7/9	7/9	7/9	7/9	7/9	8/10	8/10	8/10	8/10	8/10	11/12
	<b>9355</b> <b>9355G</b>	<b>9356</b> <b>9356G</b>	<b>9357</b> <b>9357G</b>	<b>9358</b> <b>9358G</b>	<b>9359</b> <b>9359G</b>	<b>9361</b> <b>9361G</b>	<b>9362</b> <b>9362G</b>	<b>9363</b> <b>9363G</b>	<b>9364</b> <b>9364G</b>	<b>9365</b> <b>9365G</b>	<b>9366</b> <b>9366G</b>
kg	6,40	6,80	7,40	7,00	7,60	11,80	12,10	12,40	13,30	13,30	14,10
mm	465x225x185	465x225x185	465x225x185	465x225x185	465x225x185	455x270x280	455x270x280	455x270x280	455x270x280	455x270x280	455x270x280
●	11/12	11/12	11/12	11/12	11/12	13/15	13/15	13/15	13/15	13/15	13/15
	<b>9367</b> <b>9367G</b>	<b>9368</b> <b>9368G</b>	<b>9369</b> <b>9369G</b>	<b>9370</b> <b>9370G</b>	<b>9371</b> <b>9371G</b>	<b>9401</b> <b>9401G</b>	<b>9402</b> <b>9402G</b>	<b>9403</b> <b>9403G</b>	<b>9404</b> <b>9404G</b>	<b>9405</b> <b>9405G</b>	<b>9411</b> <b>9411G</b>
kg	14,10	15,00	15,80	18,80	19,70	22,70	24,10	24,10	25,10	26,10	28,50
mm	455x270x280	455x270x280	455x270x280	455x270x280	455x270x280	600x320x330	600x320x330	600x320x330	600x320x330	600x320x330	600x320x330
●	13/15	13/15	13/15	14/16	14/16	17/18	17/18	17/18	17/18	17/18	19/20
	<b>9412</b> <b>9412G</b>	<b>9413</b> <b>9413G</b>	<b>9414</b> <b>9414G</b>	<b>9422</b> <b>9422G</b>	<b>9423</b> <b>9423G</b>	<b>9424</b> <b>9424G</b>	<b>9425</b> <b>9425G</b>	<b>9426</b> <b>9426G</b>	<b>9431</b> <b>9431G</b>	<b>9432</b> <b>9432G</b>	<b>9433</b> <b>9433G</b>
kg	29,70	30,80	31,40	40,00	41,90	42,20	44,30	46,60	22,70	22,70	24,10
mm	600x320x330	600x320x330	600x320x330	600x320x420	600x320x420	600x320x420	600x320x420	600x320x420	600x320x330	600x320x330	600x320x330
●	19/20	19/20	19/20	21/22	21/22	21/22	21/22	21/22	17/18	17/18	17/18
	<b>9434</b> <b>9434G</b>	<b>9435</b> <b>9435G</b>	<b>9436</b> <b>9436G</b>	<b>9441</b> <b>9441G</b>	<b>9442</b> <b>9442G</b>	<b>9443</b> <b>9443G</b>	<b>9444</b> <b>9444G</b>	<b>9451</b> <b>9451G</b>	<b>9452</b> <b>9452G</b>	<b>9453</b> <b>9453G</b>	<b>9454</b> <b>9454G</b>
kg	27,50	26,60	27,60	28,50	29,70	30,80	31,40	40,00	40,10	41,90	42,20
mm	600x320x330	600x320x330	600x320x330	600x320x330	600x320x330	600x320x330	600x320x330	600x320x420	600x320x420	600x320x420	600x320x420
●	19/20	19/20	19/20	19/20	19/20	19/20	19/20	21/22	21/22	21/22	21/22
	<b>9455</b> <b>9455G</b>	<b>9456</b> <b>9456G</b>	<b>9502</b>	<b>9503</b>	<b>9504</b>	<b>9505</b>	<b>9506</b>	<b>9507</b>	<b>9508</b>	<b>9509</b>	<b>6520</b>
kg	44,30	46,60	14,40	17,00	17,30	18,50	17,30	19,50	18,00	18,60	14,60
mm	600x320x420	600x320x420	455x270x280	455x270x280	455x270x280	455x270x280	455x270x280	455x270x280	455x270x280	455x270x280	455x270x280
●	21/22	21/22	23	23	23	23	23	23	23	23	23
	<b>9521</b>	<b>9522</b>	<b>9523</b>	<b>9524</b>	<b>9525</b>	<b>9200</b>	<b>9201</b>	<b>9202</b>	<b>9203</b>		
kg	14,40	17,60	17,20	18,40	17,50	1,40	1,40	1,60	1,60		
mm	455x270x280	455x270x280	455x270x280	455x270x280	455x270x280	225x160x110	225x160x110	225x160x110	225x160x110		
●	23	23	23	23	23	24	24	24	24		



# 9354AX ÷ 9359AX

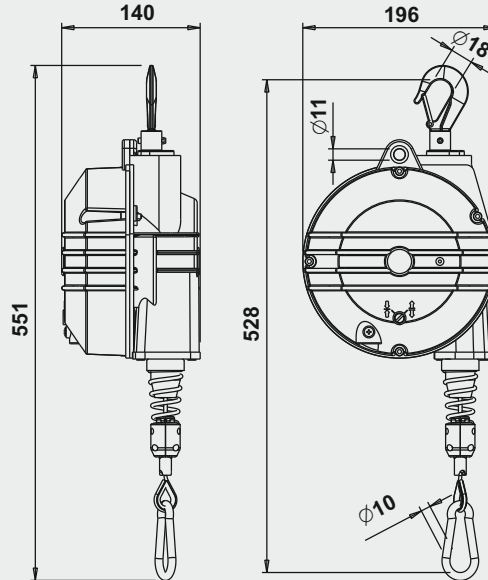
OPTION F

**25**  
2000 mm  
**4÷25**  
kg



**Option F Brake device**

The balancer is equipped with a friction/brake which controls the rotation speed of the drum. This option is feasible when placing a new order while it is not possible to assemble this device on balancers already installed.



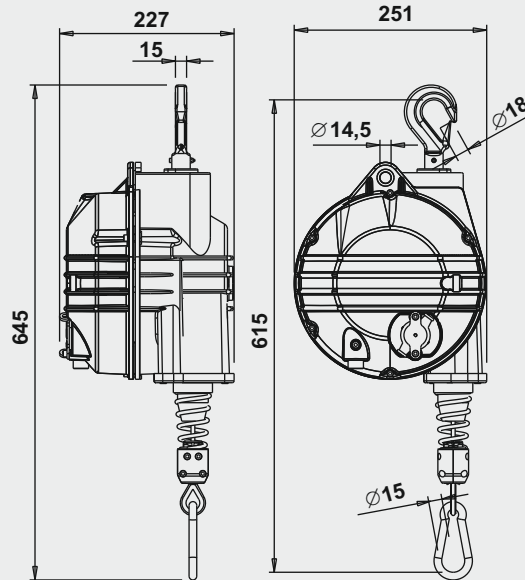
Item	9354AX	9355AX	9356AX	9357AX	9358AX	9359AX
Capacity	4÷7	7÷10	10÷14	14÷18	18÷22	22÷25
Weight	4,94	5,30	5,67	6,26	5,89	6,53
Stroke	2000 mm					
Cable	Inox					
Body	Aluminium					

**ATEX**   
 Ex II 2GD c II T 85°C (T6)

# 9502AX ÷ 9509AX


# 9520AX ÷ 9525AX

**26**  
 2100 mm  
 2700 mm  
 20÷100  
 kg



Item	9502AX	9503AX	9504AX	9505AX	9506AX	9507AX	9508AX	9509AX	9520AX	9521AX	9522AX	9523AX	9524AX	9525AX
Capacity	20÷30	30÷40	40÷50	50÷60	60÷70	70÷80	80÷90	90÷100	12÷20	20÷30	30÷40	40÷50	50÷60	60÷70
Weight	12,60	15,20	15,50	16,70	15,50	17,70	16,20	16,80	12,80	12,60	15,80	15,40	16,60	15,70
Stroke	2100 mm								2700 mm					
Cable	Inox													
Body	Aluminium													

# ATEX BALANCERS TECHNICAL FEATURES

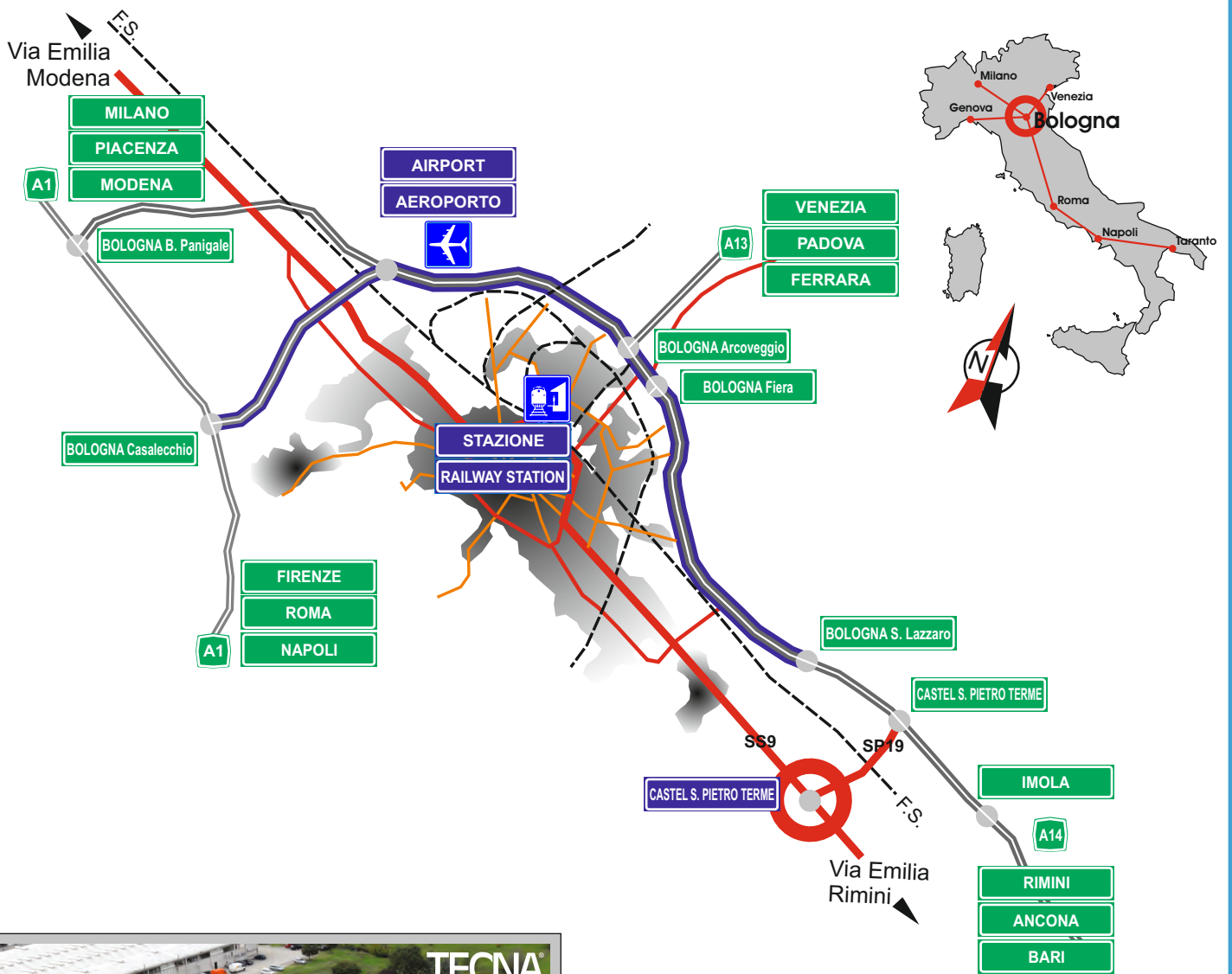
	25	26	26	
kg	4÷25	20÷100	20÷100	Capacity
mm	2000	2100	2700	Stroke
●	●	●		Ribbed and sealed construction in aluminium alloy
●	●	●		Stainless steel rope
●	●	●		Adjustable capacity by means of a worm screw
●	●	●		Safety suspension
●	●	●		Safety device against load dropping due to the spring breakage (capacity >3kg)
●	●	●		Upper rotary suspension with safety hook
●	●	●		Locking device to block the load at any height
●	●	●		Adjustable stroke limiting device
●	●	●		Taper drum rotating on ball bearings
●	●	●		Cable guide in antifriction material
●	●	●		Rotary upper hook with ball bearing
●	●	●		Inert spring drum assembly

## ON REQUEST OPTIONS B-F

	●	●		B: Locking-unlocking device with control from the floor
●				F: Brake device

# ATEX PACKAGING FEATURES

	9354AX	9355AX	9356AX	9357AX	9358AX	9359AX	9502AX	9503AX	9504AX	9505AX	9506AX
kg	6,00	6,40	6,80	7,40	7,00	7,60	14,40	17,00	17,30	18,50	17,30
mm	465x225x185	465x225x185	465x225x185	465x225x185	465x225x185	465x225x185	455x270x280	455x270x280	455x270x280	455x270x280	455x270x280
●	25	25	25	25	25	25	26	26	26	26	26
	9507AX	9508AX	9509AX	6520AX	9521AX	9522AX	9523AX	9524AX	9525AX		
kg	19,50	18,00	18,60	14,60	14,40	17,60	17,20	18,40	17,50		
mm	455x270x280	455x270x280	455x270x280	455x270x280	455x270x280	455x270x280	455x270x280	455x270x280	455x270x280		
●	26	26	26	26	26	26	26	26	26		



**Tecna S.p.A.** Via Meucci, 27 | 40024 | Castel San Pietro Terme (Bo) | Italia  
Ph. +39.051.6954.411 | Fax +39.051.6954.490  
vendite@tecna.net | sales@tecna.net  
www.tecna.net